

W1G200-EX91-01

II 3G Ex nA IIA T4 Gc (-30°C ≤ TA ≤ +35°C) X

## EC axial fan - ESM

sickled blades (S series), single inlet

ESM wall ring



### ebm-papst Mulfingen GmbH & Co. KG

Bachmühle 2 · D-74673 Mulfingen

Phone +49 7938 81-0

Fax +49 7938 81-110

info1@de.ebmpapst.com

www.ebmpapst.com

Limited partnership · Headquarters Mulfingen  
County court Stuttgart · HRA 590344

General partner Elektrobau Mulfingen GmbH · Headquarters Mulfingen  
County court Stuttgart · HRB 590142


### Nominal data

Type	W1G200-EX91-01		
Motor	M1G055-BD		
Phase		1~	1~
Nominal voltage	VAC	230	230
Frequency	Hz	50/60	50/60
Type of data definition		ml	
State			prelim.
Speed	min <sup>-1</sup>	2100	1500
Power input	W	31	-
Current draw	A	0.24	
Max. back pressure	Pa	55	
Min. ambient temperature	°C	-30	-30
Max. ambient temperature	°C	35	35

ml = Max. load · me = Max. efficiency · fa = Running at free air · cs = Customer specs · cu = Customer unit  
Subject to alterations



W1G200-EX91-01

 II 3G Ex nA IIA T4 Gc (-30°C ≤ TA ≤ +35°C) X

## EC axial fan - ESM

sickled blades (S series), single inlet

ESM wall ring



### Technical features

Mass	1 kg
Size	200 mm
Material of blades	PA plastic
Material of wall ring	PC / ABS plastic
Number of blades	5
Direction of air flow	"V"
Direction of rotation	Counter-clockwise, seen on rotor
Type of protection	IP 54
Insulation class	"B"
Humidity class	F3-1
Max. permissible ambient motor temp. (transp./ storage)	+ 80 °C
Min. permissible ambient motor temp. (transp./storage)	- 40 °C
Mounting position	Any
Condensate discharge holes	None
Operation mode	S1
Motor bearing	Ball bearing
Technical features	<ul style="list-style-type: none"><li>- Speed selection max/min</li><li>- Soft start</li><li>- Over-temperature protected motor</li></ul>
Speed steps	2
EMC interference immunity	Acc. to EN 61000-6-2 (industrial environment)
EMC harmonics	Acc. to EN 61000-3-2/3
EMC interference emission	Acc. to EN 61000-6-3 (household environment)
Motor protection	Thermal overload protector (TOP) wired internally
Cable exit	Lateral
Protection class	II
Product conforming to standard	EN 60335-1; EN 60335-2-89; 3G; CE
Approval	EAC; 3G
Remark	Fan application category BV-3



W1G200-EX91-01

II 3G Ex nA IIA T4 Gc (-30°C ≤ TA ≤ +35°C) X

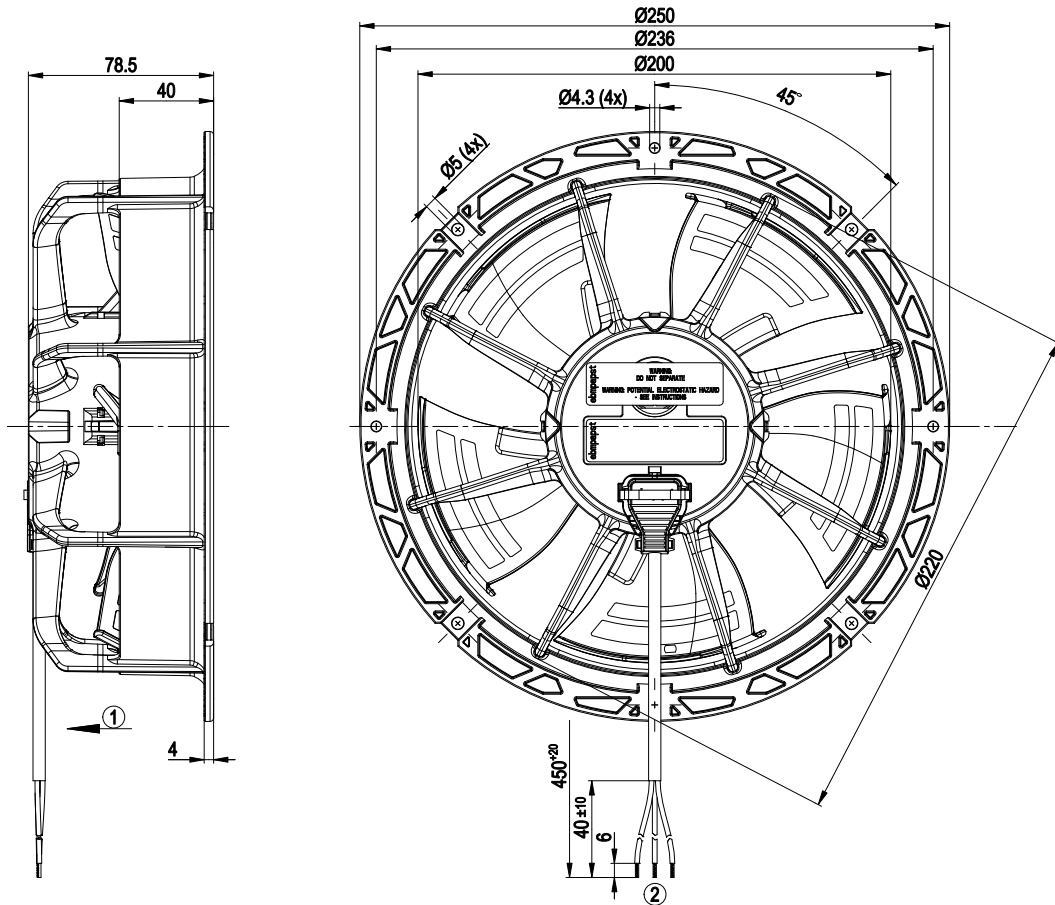
# EC axial fan - ESM

sickled blades (S series), single inlet

ESM wall ring

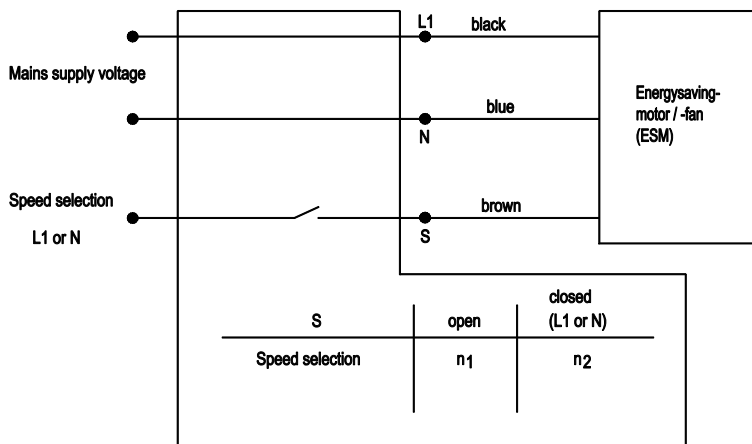


## Product drawing



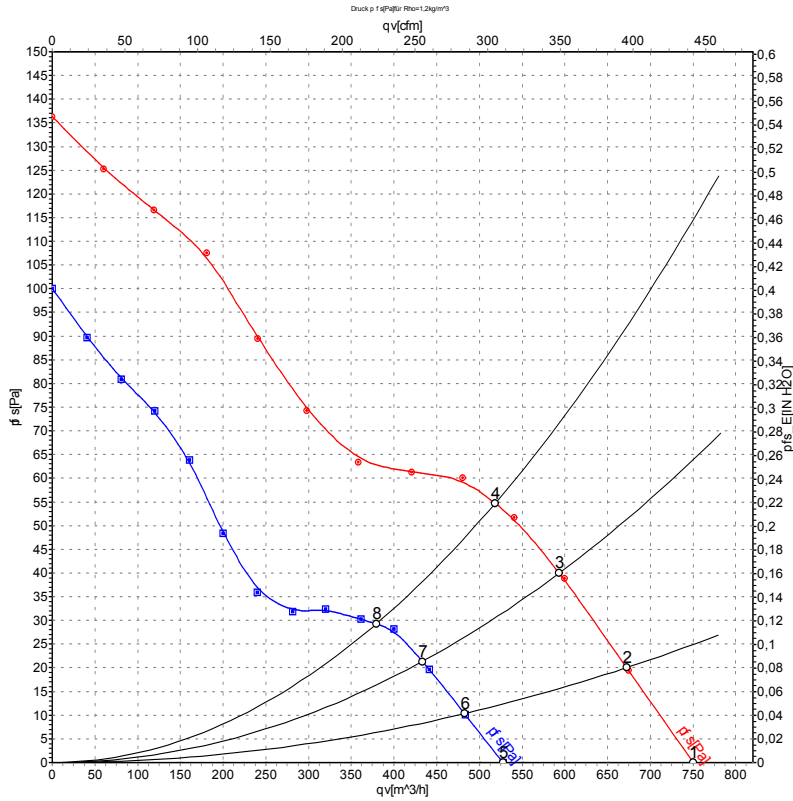
- 1 Direction of air flow "V"
- 2 Connection line PVC 3X AWG20, 3x brass lead tips crimped

## Connection screen





## Charts: Air flow 50 Hz



Measurement: LU-113351  
Measurement: LU-113352

Air performance measured as per ISO 5801 Installation category A. For detailed information on the measuring set-up, please contact ebm-papst. Suction-side noise levels: LwA measured as per ISO 13347 / LpA measured with 1m distance to fan axis. The values given are valid under the measuring conditions mentioned above and may vary according to the actual installation situation. With any deviation from the standard set-up, the specific values have to be checked and reviewed with the unit installed.

## Measured values

	U	f	n	P <sub>ed</sub>	I	LpA <sub>in</sub>	LwA <sub>in</sub>	qv	ps
	V	Hz	min <sup>-1</sup>	W	A	dB(A)	dB(A)	m <sup>3</sup> /h	Pa
1	230	50	2100	29	0.22	55	62	750	0
2	230	50	2100	30	0.23	54	61	670	20
3	230	50	2100	31	0.24	53	60	595	40
4	230	50	2100	31	0.24	54	62	520	55
5	230	50	1500	14	0.11	46	54	525	0
6	230	50	1500	15	0.12	46	54	480	10
7	230	50	1500	15	0.12	45	53	435	21
8	230	50	1500	15	0.12	47	55	380	29

U = Supply voltage · f = Frequency · n = Speed · P<sub>ed</sub> = Power input · I = Current draw · LpA<sub>in</sub> = Sound pressure level inlet side · LwA<sub>in</sub> = Sound power level inlet side · qv = Air flow  
ps = Pressure increase

